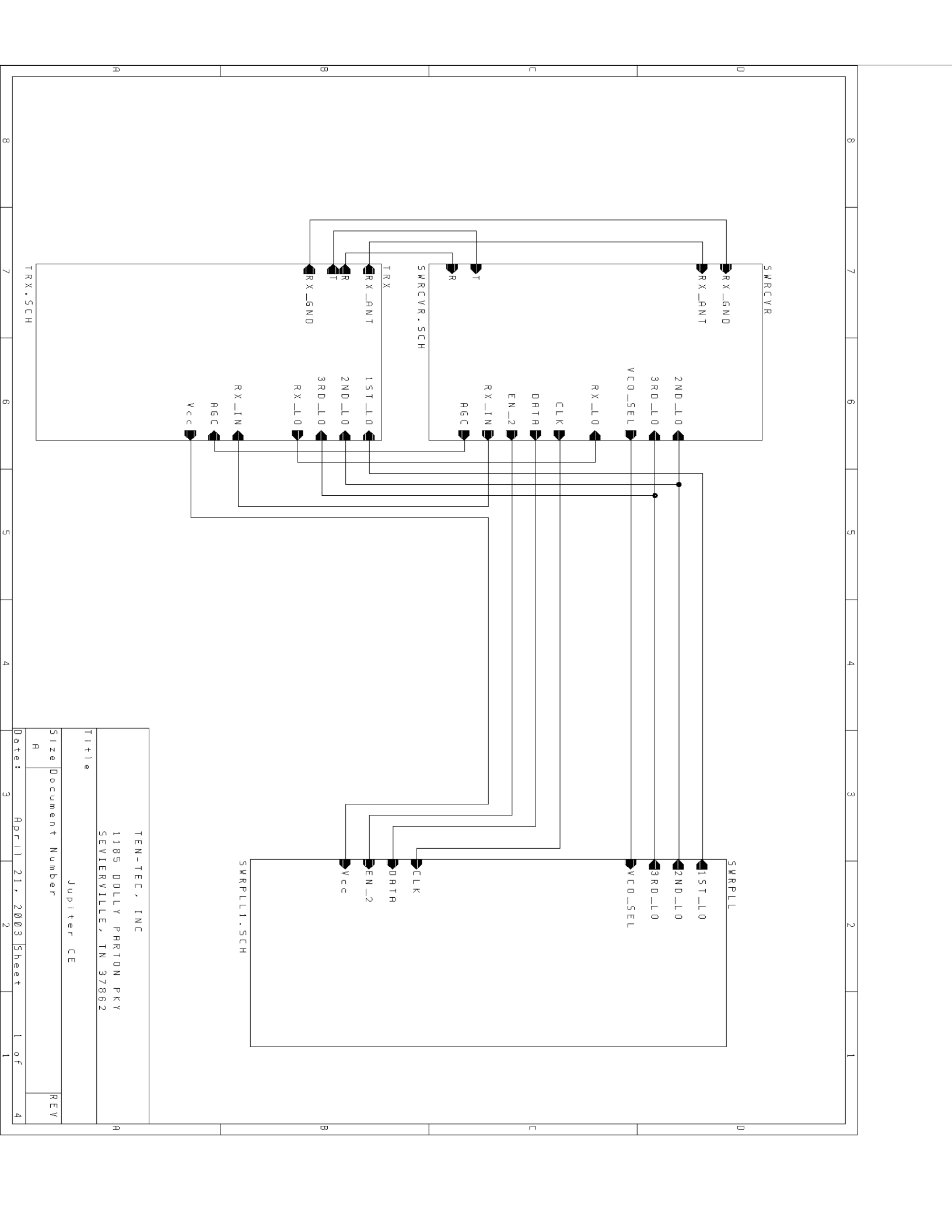


TEN-TEC INC.
 1185 DOLLY PARTON PKWY
 SEVIERVILLE, TN 37862
 MODEL 538 1 R0010 I/O
 Size Document Number
 B
 Date: June 13, 2003 Sheet 3 of 6



8

7

6

5

4

3

2

1

8

7

6

5

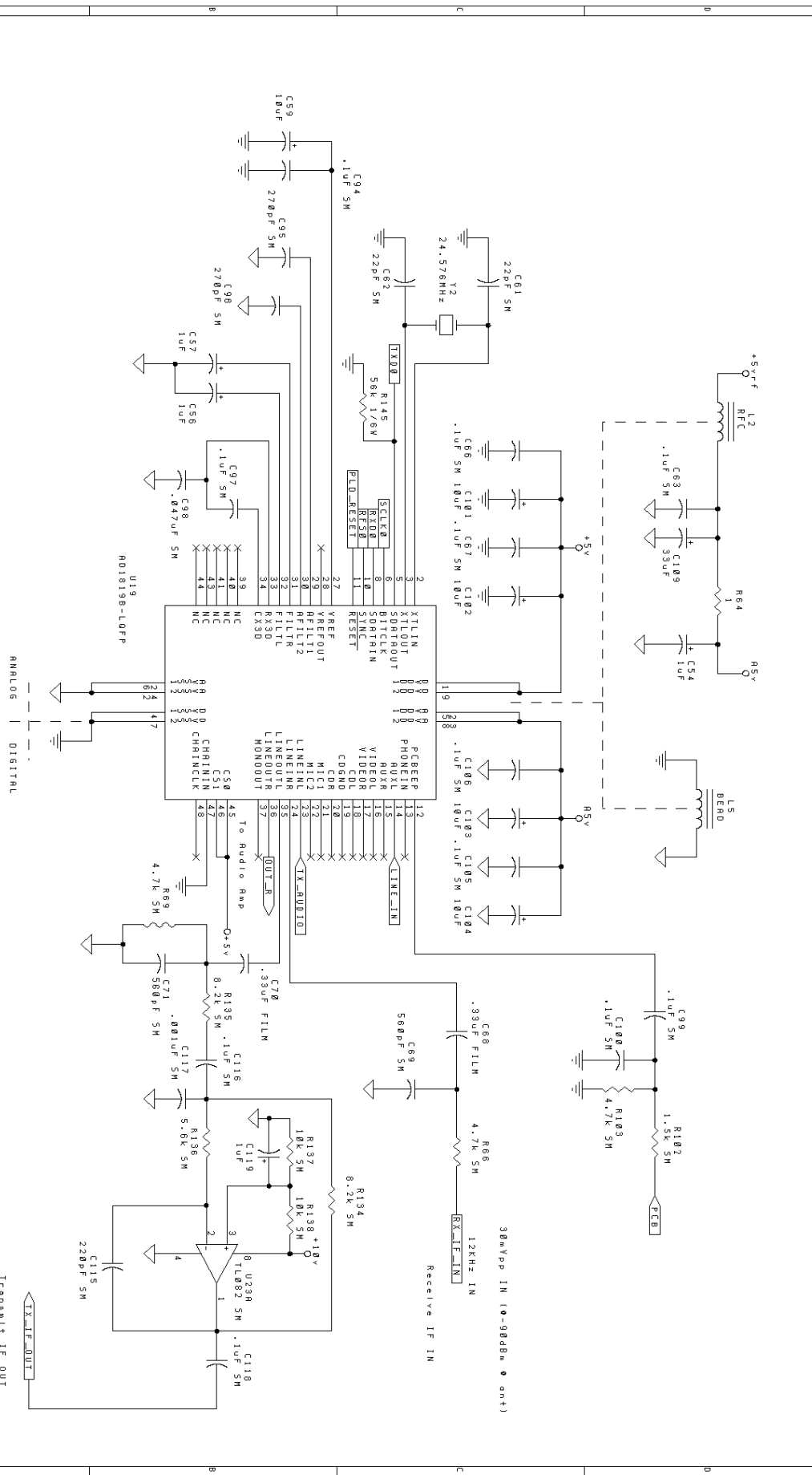
4

3

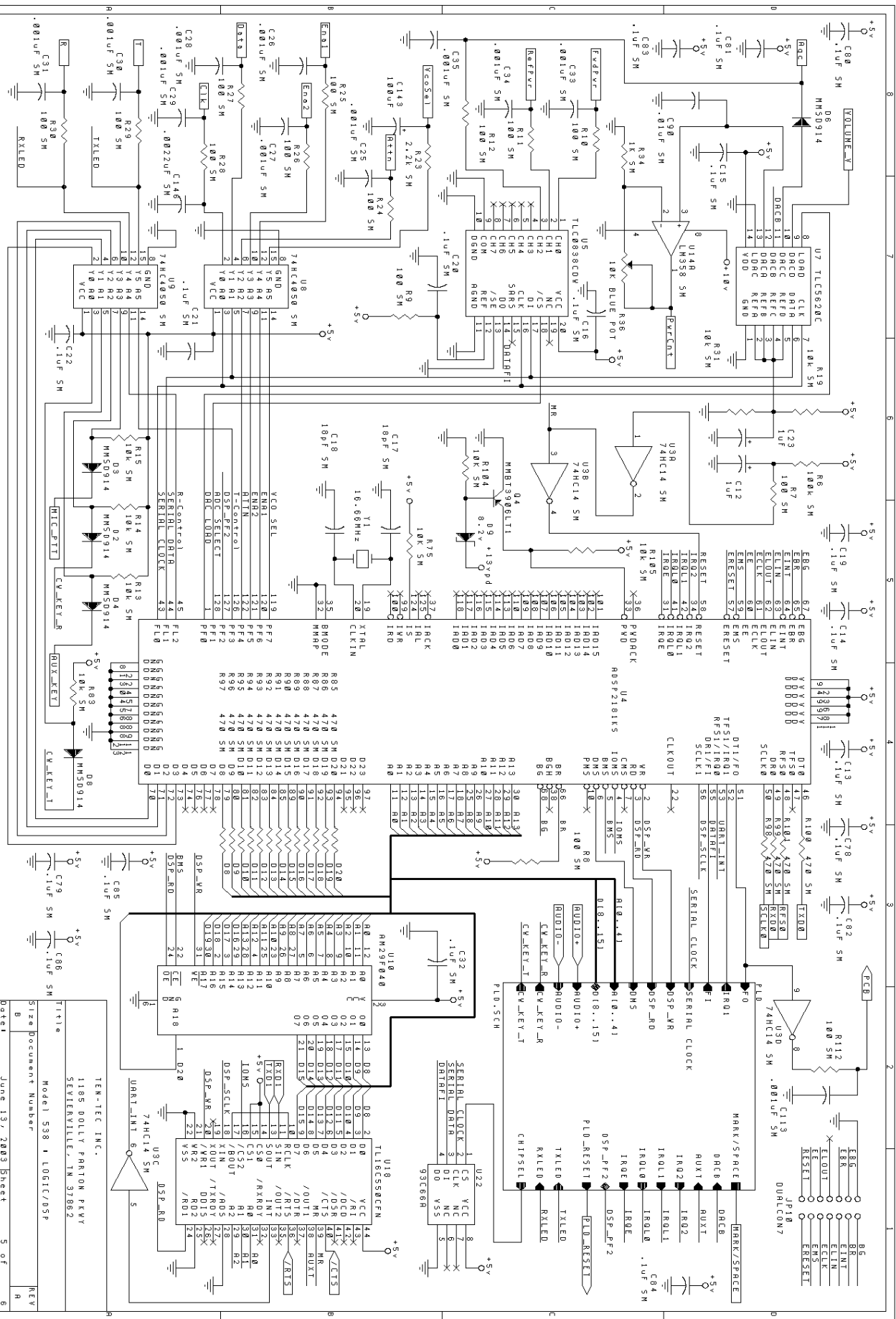
2

1

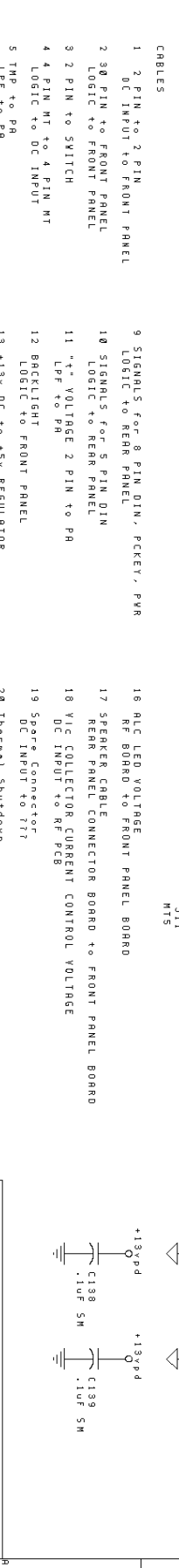
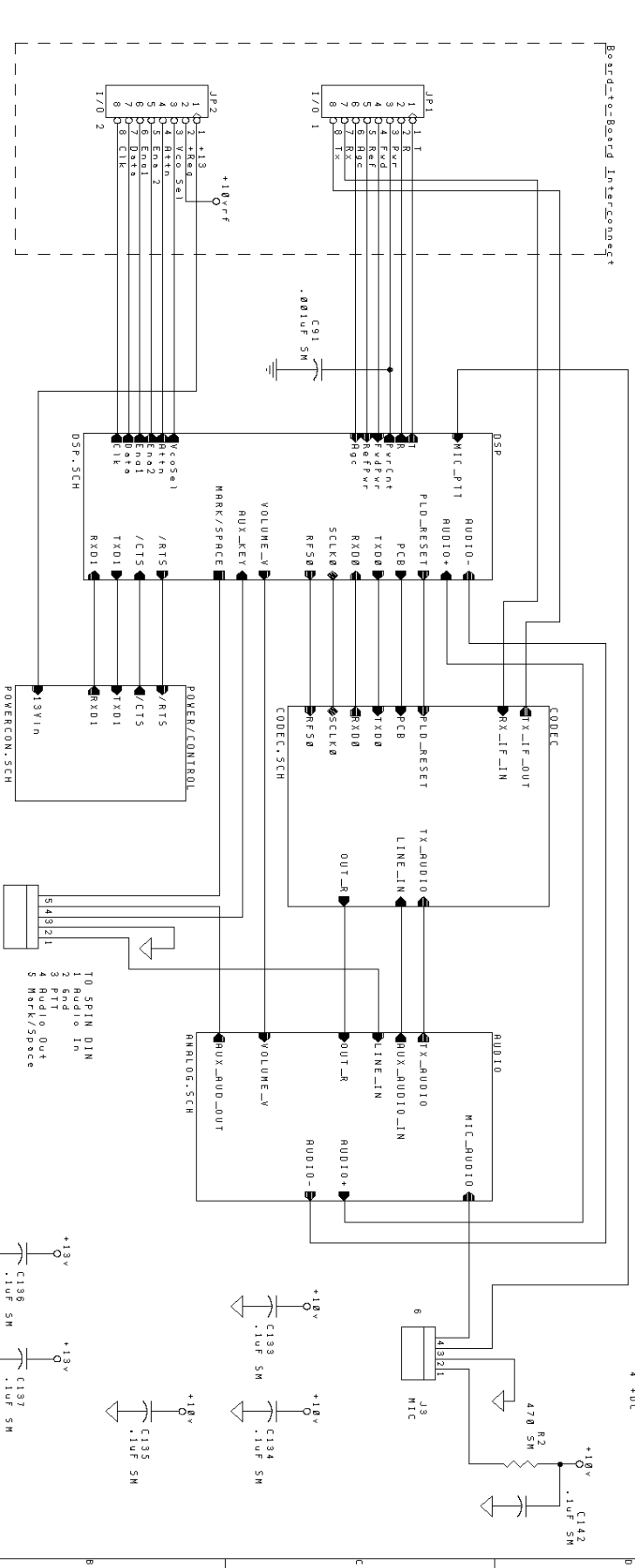
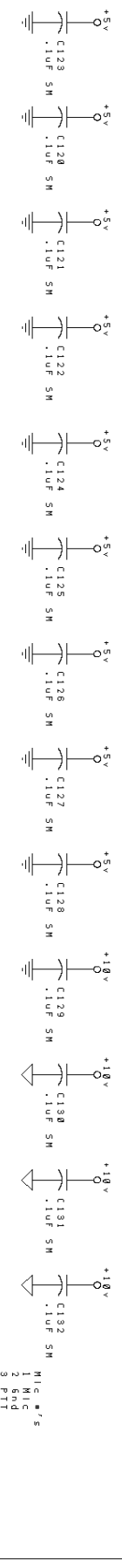
Title		TEN-TEC, INC	
Size		1185 DOLLY PARTON PKY	
Document Number		SEVIERVILLE, TN 37862	
Date:		Jupiter CE	
April 21, 2003		REV	
Sheet 2		1 of 4	



TEK-TEC INC.	1185 DOLLY PARTON PKWY	SEWIERVILLE, TN 37862
Title	Model 538 1 DSP SIGNAL I/O	REV
Size	Document Number	A
Date	March 14, 2003	Sheet 4 of 6



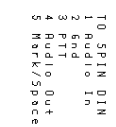
TEM-TEC INC.
 1185 DOLLY PARTON Pkwy
 SEVIERVILLE, TN 37882
 Model 538 1 LOGIC/DSP
 Size Document Number
 Date: June 13, 2003 Sheet 5 of 6



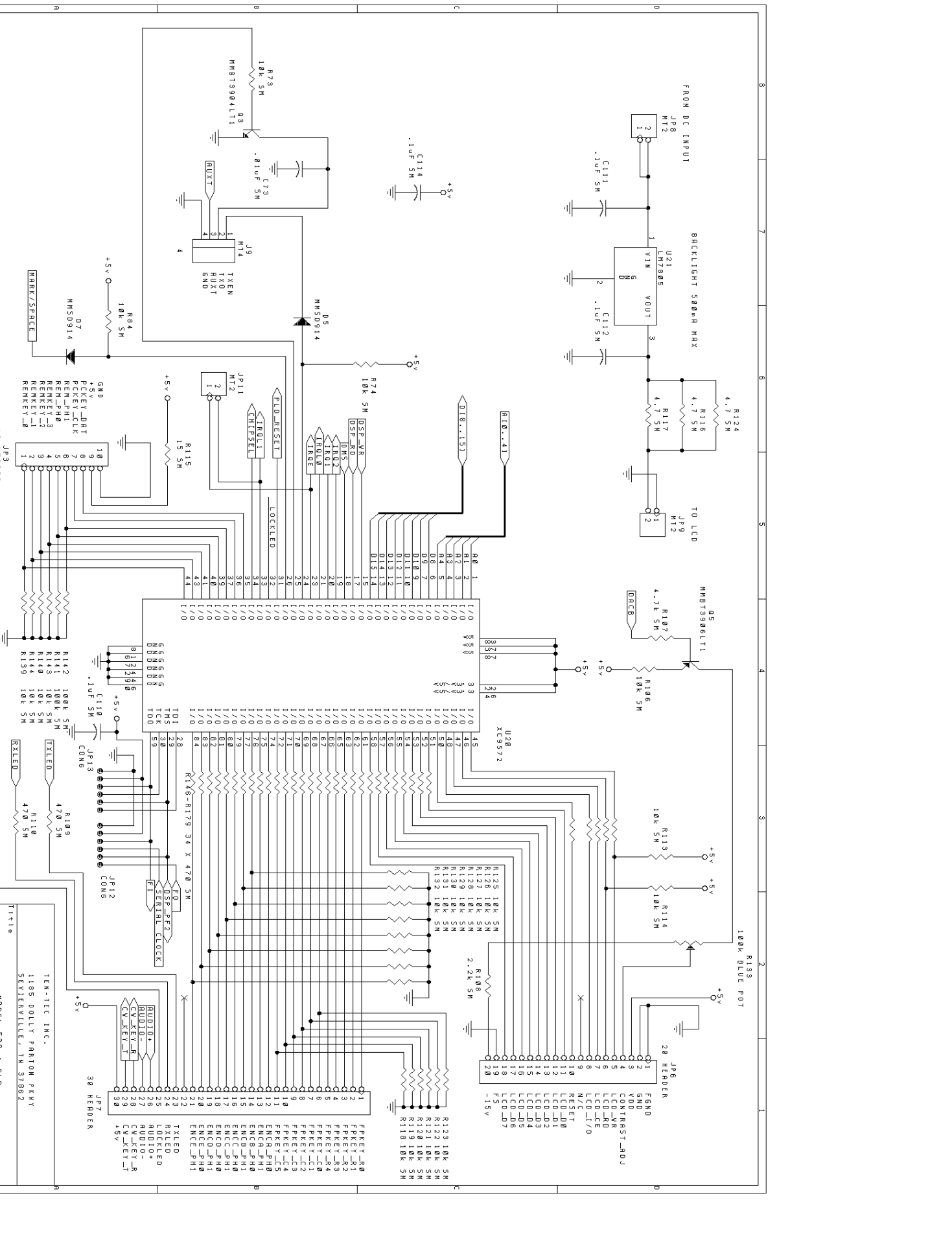
- CABLES**
- 1 2 PIN to 2 PIN DC INPUT to FRONT PANEL
 - 2 30 PIN to FRONT PANEL LOGIC to FRONT PANEL
 - 3 2 PIN to SWITCH LOGIC to DC INPUT
 - 4 4 PIN MT to 4 PIN MT LOGIC to DC INPUT
 - 5 TMP to PA
 - 6 4 PIN to MIC LOGIC to FRONT PANEL
 - 7 20 PIN to FRONT PANEL LOGIC to FRONT PANEL
 - 8 2 PIN I/O (NOT ASSIGNED)

- 9 SIGNALS for 8 PIN DIN, PKEY, PWR LOGIC to REAR PANEL
- 10 SIGNALS for 5 PIN DIN LOGIC to REAR PANEL
- 11 +- VOLTAGE 2 PIN to PA LPF to PA
- 12 BACKLIGHT LOGIC to FRONT PANEL
- 13 +13V DC to +5V REGULATOR DC INPUT to LOGIC
- 14 RS232 LOGIC to REAR PANEL
- 15 AUDIO SIGNAL HEADPHONES REAR CONNECTOR BOARD to FRONT PANEL

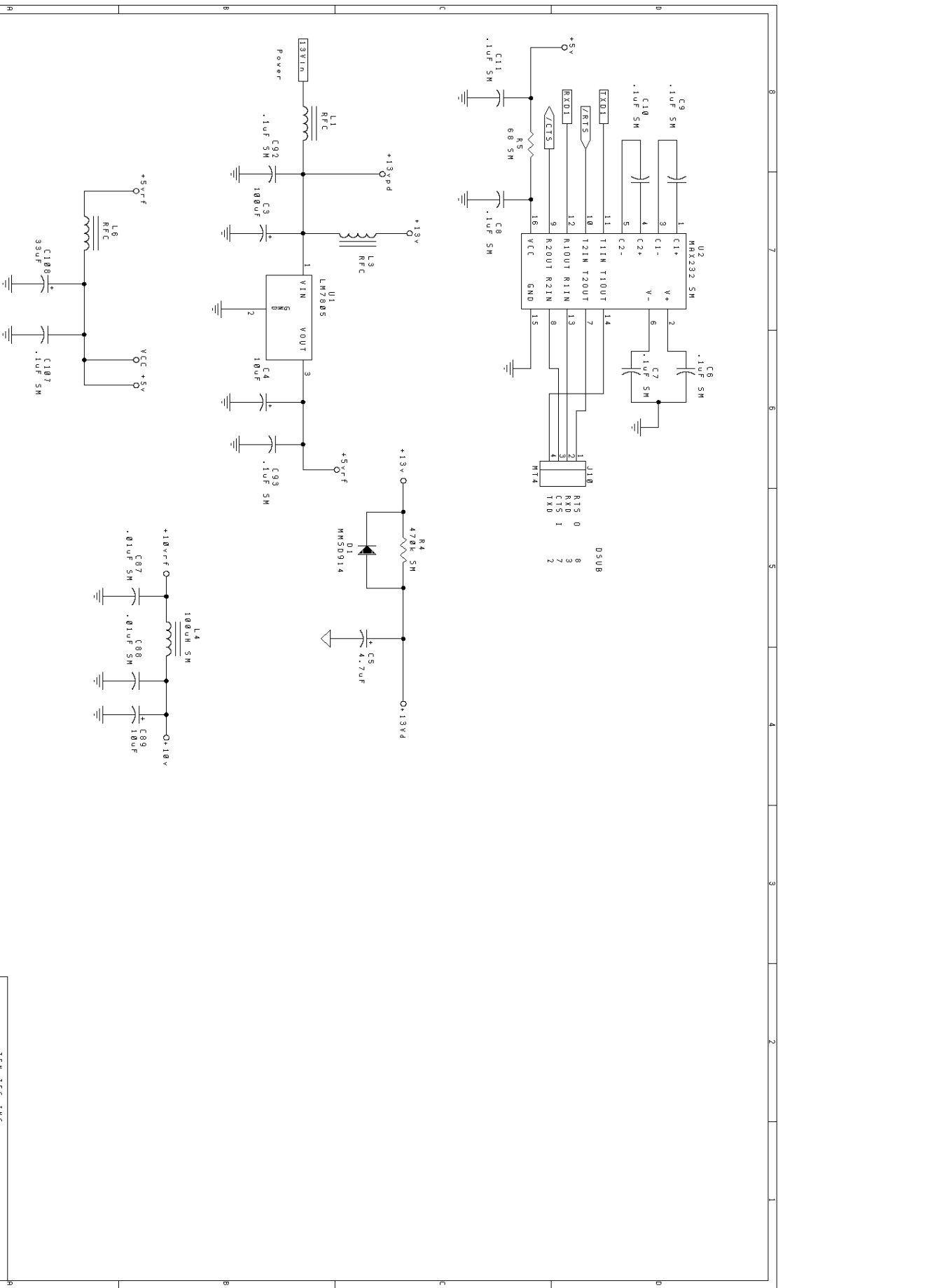
- 16 A/C LED VOLTAGE RF BOARD to FRONT PANEL BOARD
- 17 SPEAKER CABLE REAR PANEL CONNECTOR BOARD to FRONT PANEL BOARD
- 18 YIC COLLECTOR CURRENT CONTROL VOLTAGE DC INPUT to RF PCB
- 19 Spare Connector DC INPUT to ???
- 20 Thermal Shutdown DC INPUT to PA
- 79 LDRIVER for PA RF to PA



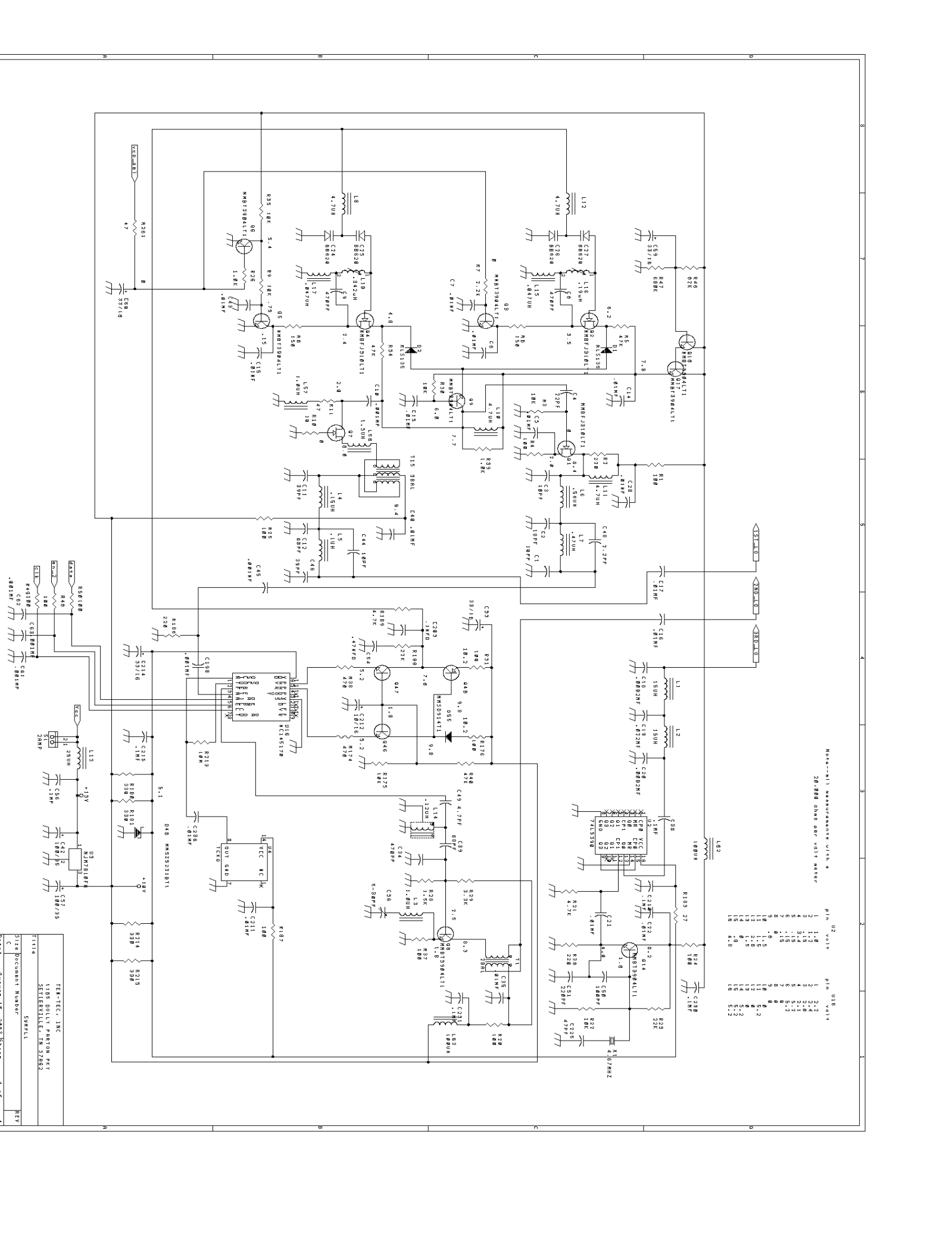
TEM-TEC INC.	
1185 DOLLY PARTON Pkwy	
SEWIERVILLE, TN 37082	
Title	Model 538 1 DSP FRONT PANEL TRANSCIEVER
Size	Document Number
REV	
Date	December 19, 2000
Sheet	1 of 6



Title: TEM-TEC INC.
 1185 DOLLY PARTON Pkwy
 SEWIERVILLE, TN 37882
 MODEL 538 - PLD
 Size: Document Number
 Date: June 13, 2003 Sheet 6 of 6



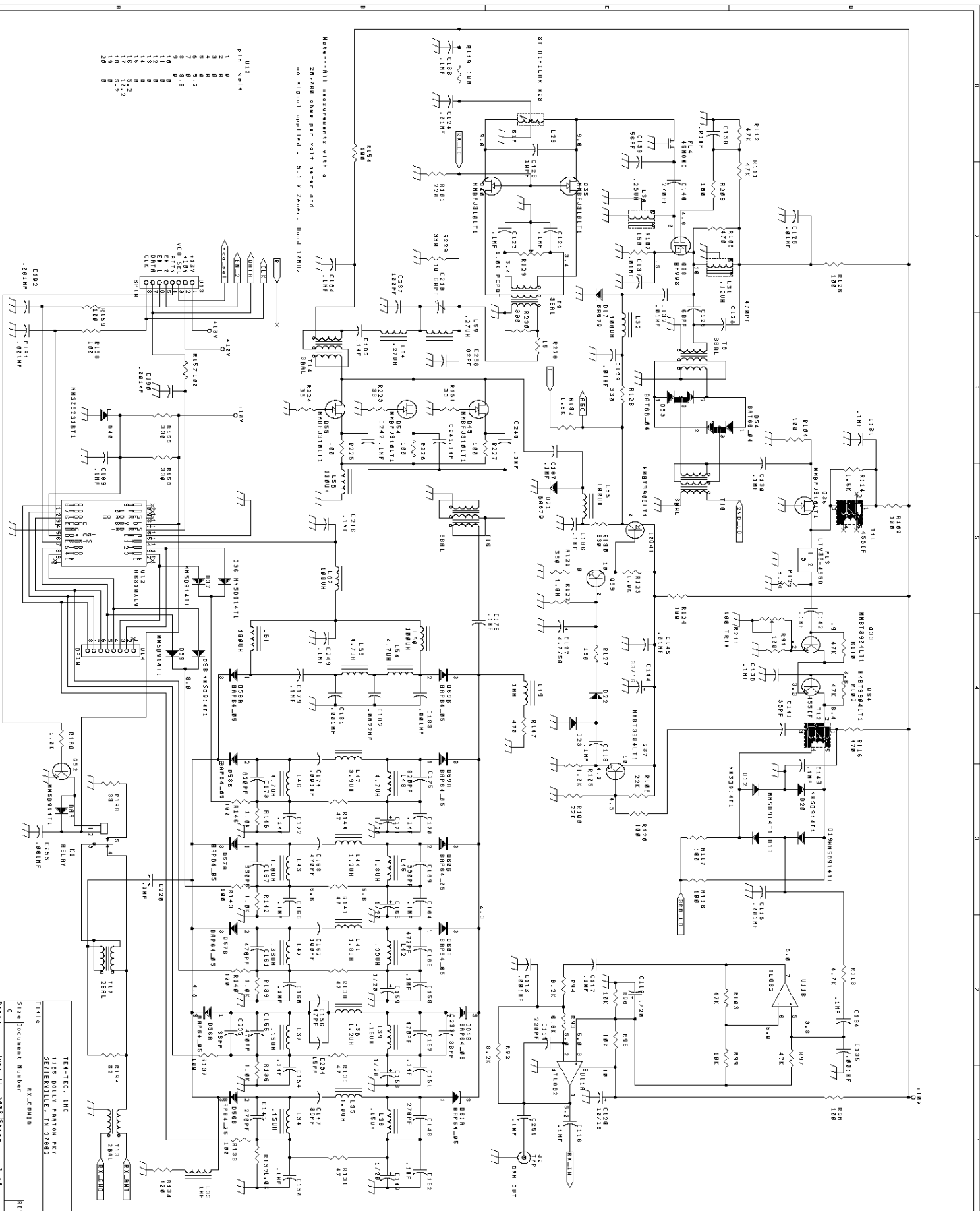
TEN-TEC INC.	
1185 DOLLY PARTON PKWY	
SEWIERVILLE, TN 37882	
Title	MODEL 538 - POWER/CONTROL
Size	Document Number
Date	April 28, 2000
Sheet	1
of	2
REV	A



Note--all measurements with a 20,000 ohm amp volt meter.

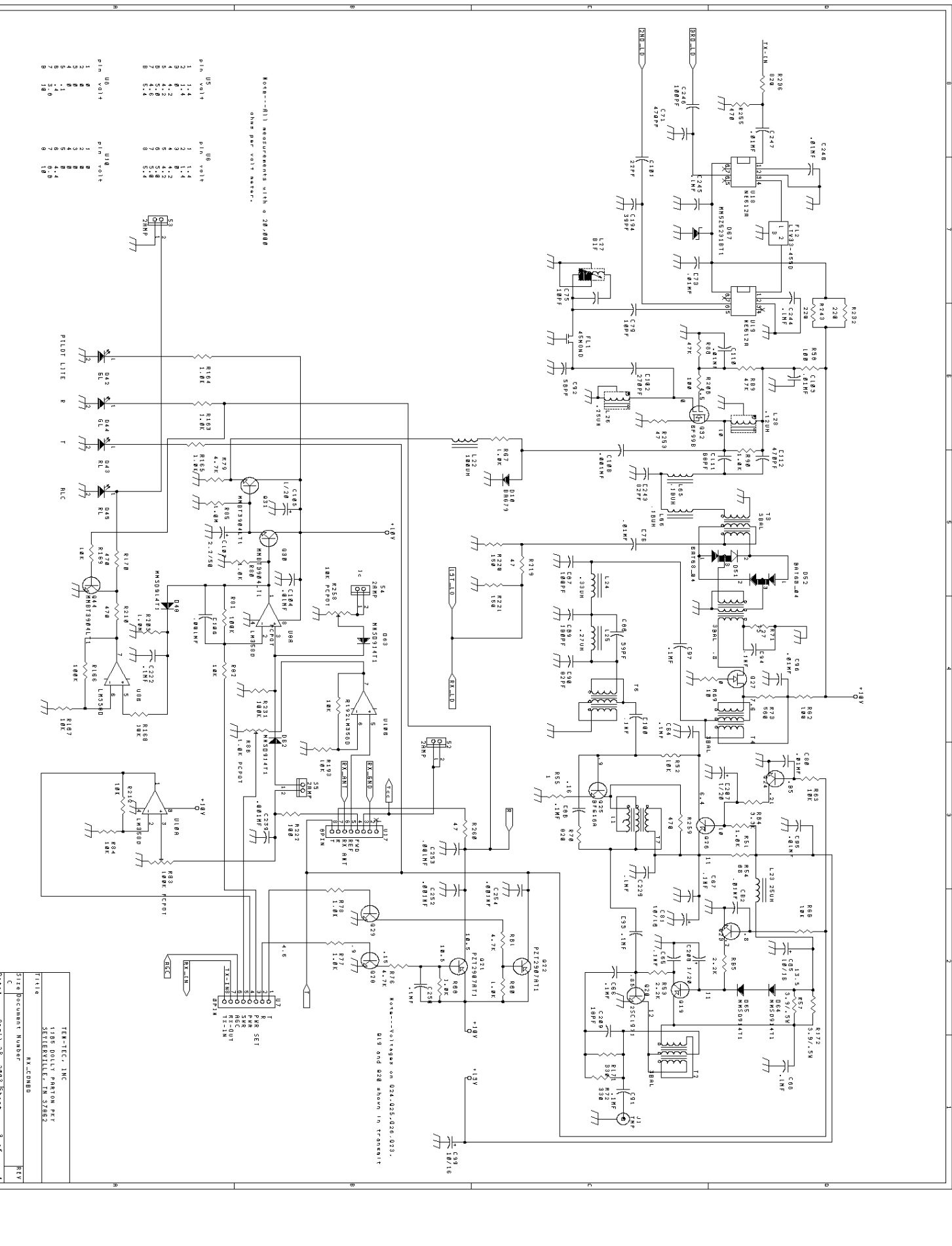
pin	U2	pin	U1E
1	1.40	1	2.72
2	2.16	2	2.40
3	2.16	3	2.40
4	2.16	4	2.40
5	2.16	5	2.40
6	1.15	6	5.47
7	0	7	0
8	0	8	0
9	0.5	9	0
10	1.5	10	5.2
11	1.5	11	5.2
12	1.5	12	5.2
13	1.5	13	5.2
14	0	14	0
15	0	15	0
16	4.8	16	5.2

TEK-TEC, INC.
 1400 DOLY PARKWAY
 SEATTLE, WASH. 98144
 TITLE: SWYFLU
 5/7/68 Document Number
 REVISION: 15-2882
 4 of 4



1.8V
 5.1V Zener
 20-000 Ohm 5% Volt Meter and
 no signal applied. 5.1 V Zener. Band 10MHz.

U12
 Pin 1
 Pin 2
 Pin 3
 Pin 4
 Pin 5
 Pin 6
 Pin 7
 Pin 8
 Pin 9
 Pin 10
 Pin 11
 Pin 12
 Pin 13
 Pin 14
 Pin 15
 Pin 16
 Pin 17
 Pin 18
 Pin 19
 Pin 20



Notes---(81) measurements with a 20,000 ohm per volt meter.

pin	U5	pin	U6
1	1.4	1	1.4
2	1.4	2	1.4
3	4.2	3	4.2
4	4.2	4	4.2
5	4.2	5	4.2
6	4.2	6	4.2
7	4.6	7	4.6
8	5.4	8	5.4

pin	U7	pin	U8
1	1.4	1	1.4
2	1.4	2	1.4
3	4.2	3	4.2
4	4.2	4	4.2
5	4.2	5	4.2
6	4.2	6	4.2
7	4.6	7	4.6
8	5.4	8	5.4

TEK-TEC, INC.
 1400 DOLLY PARKWAY
 SEELYVILLE, TN 37682

REV 3 of 4