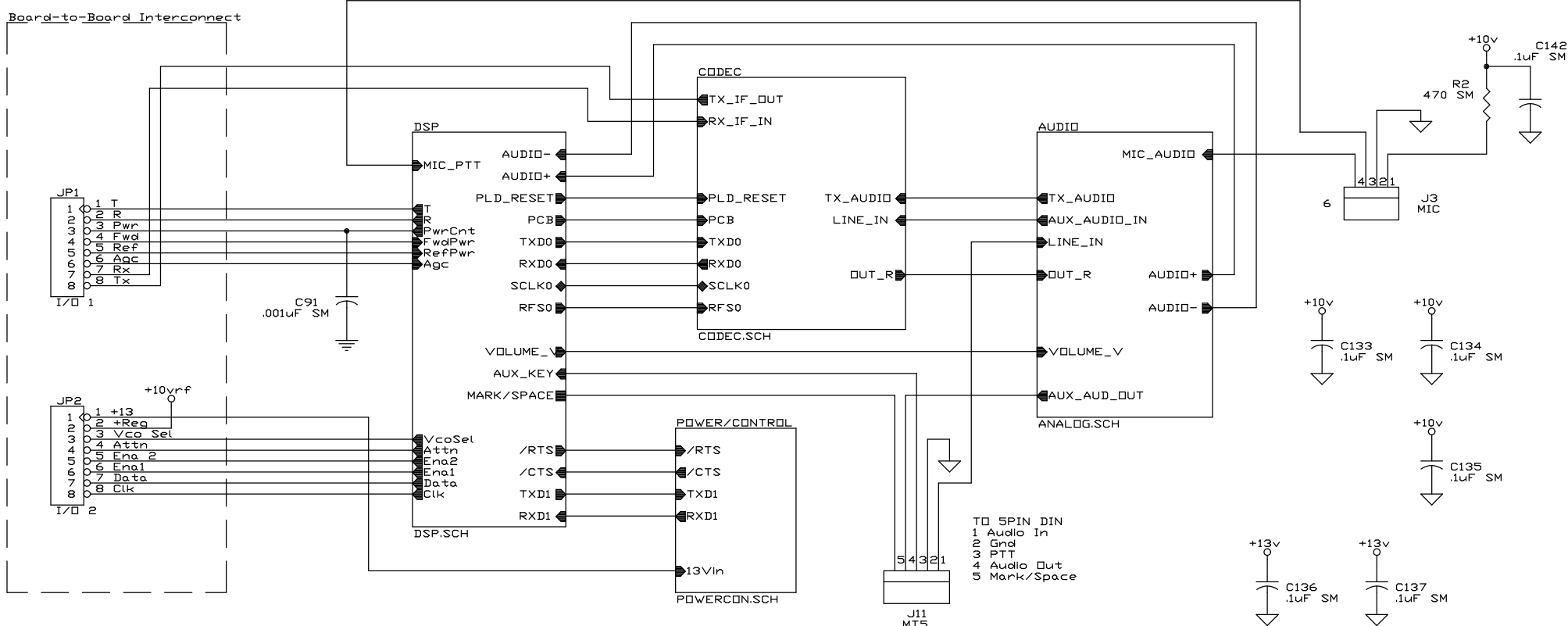


Mic #'s  
 1 Mic  
 2 Gnd  
 3 PTT  
 4 +DC

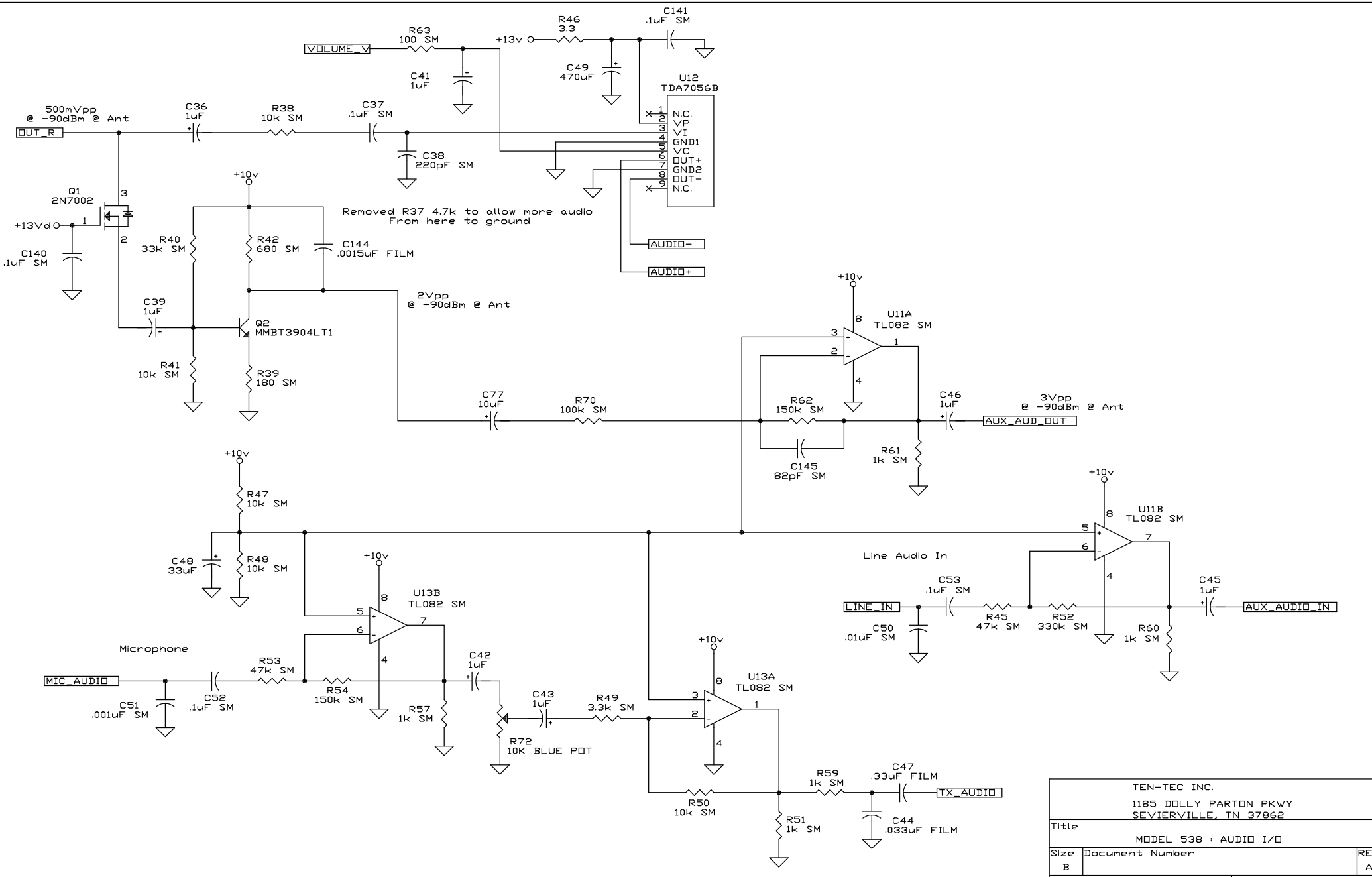


- CABLES**
- 1 2 PIN to 2 PIN  
DC INPUT to FRONT PANEL
  - 2 30 PIN to FRONT PANEL  
LOGIC to FRONT PANEL
  - 3 2 PIN to SWITCH
  - 4 4 PIN MT to 4 PIN MT  
LOGIC to DC INPUT
  - 5 TMP to PA  
LPF to PA
  - 6 4 PIN to MIC  
LOGIC to FRONT PANEL
  - 7 20 PIN to FRONT PANEL  
LOGIC to FRONT PANEL
  - 8 2 PIN I/O (NOT ASSIGNED)

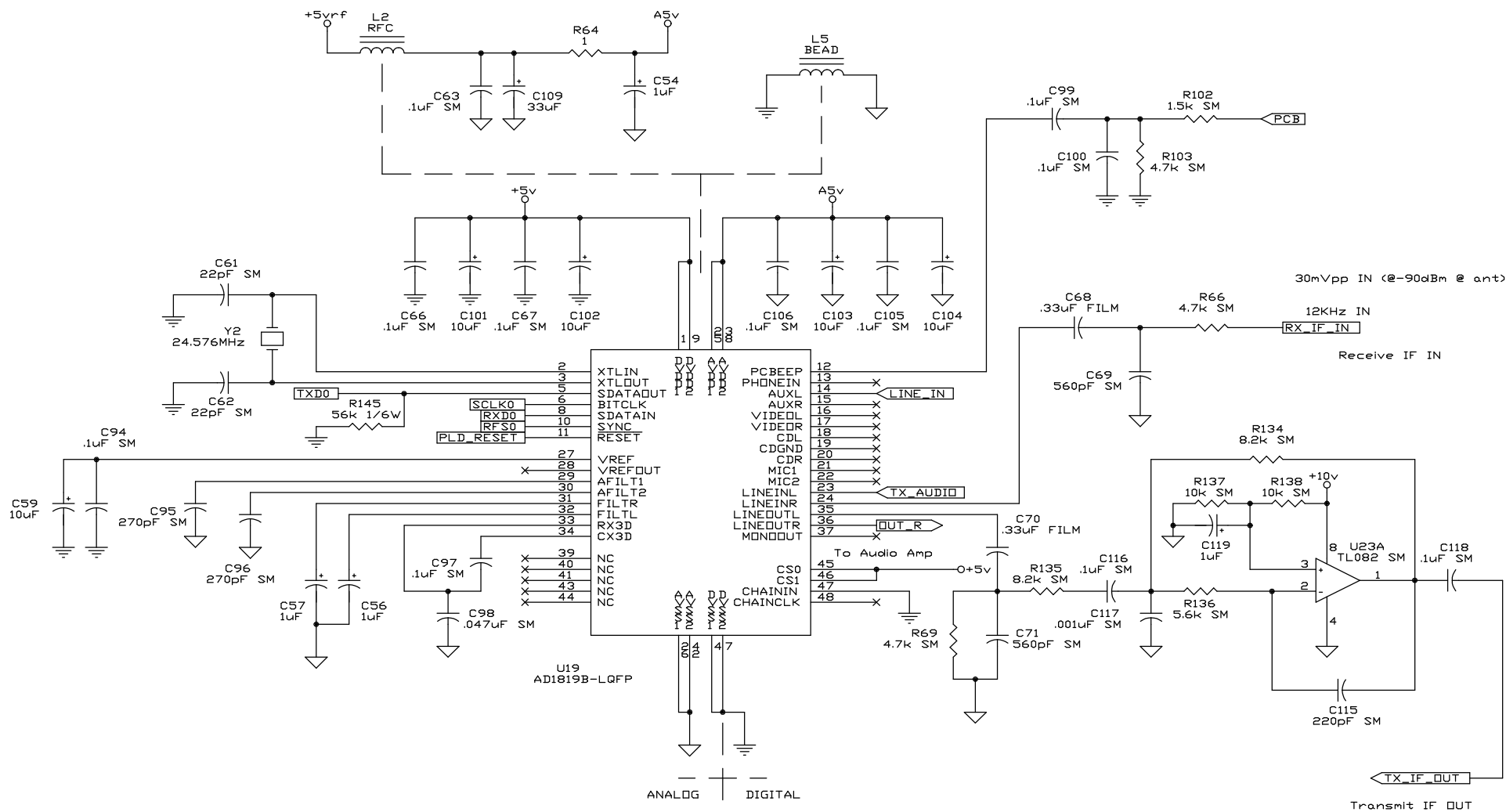
- 9 SIGNALS for 8 PIN DIN, PCKEY, PWR  
LOGIC to REAR PANEL
- 10 SIGNALS for 5 PIN DIN  
LOGIC to REAR PANEL
- 11 +V VOLTAGE 2 PIN to PA  
LPF to PA
- 12 BACKLIGHT  
LOGIC to FRONT PANEL
- 13 +13v DC to +5v REGULATOR  
DC INPUT to LOGIC
- 14 RS232  
LOGIC to REAR PANEL
- 15 AUDIO SIGNAL HEADPHONES  
REAR CONNECTOR BOARD to FRONT PANEL

- 16 ALC LED VOLTAGE  
RF BOARD to FRONT PANEL BOARD
- 17 SPEAKER CABLE  
REAR PANEL CONNECTOR BOARD to FRONT PANEL BOARD
- 18 Vic COLLECTOR CURRENT CONTROL VOLTAGE  
DC INPUT to RF PCB
- 19 Spare Connector  
DC INPUT to ???
- 20 Thermal Shutdown  
DC INPUT to PA
- 79 LLDRIVER for PA  
RF to PA

TEN-TEC INC. 1185 DOLLY PARTON PKWY SEVIERVILLE, TN 37862		
Title Model 538 : DSP FRONT PANEL TRANSCEIVER		
Size B	Document Number	REV A
Date:	December 19, 2000	Sheet 1 of 6



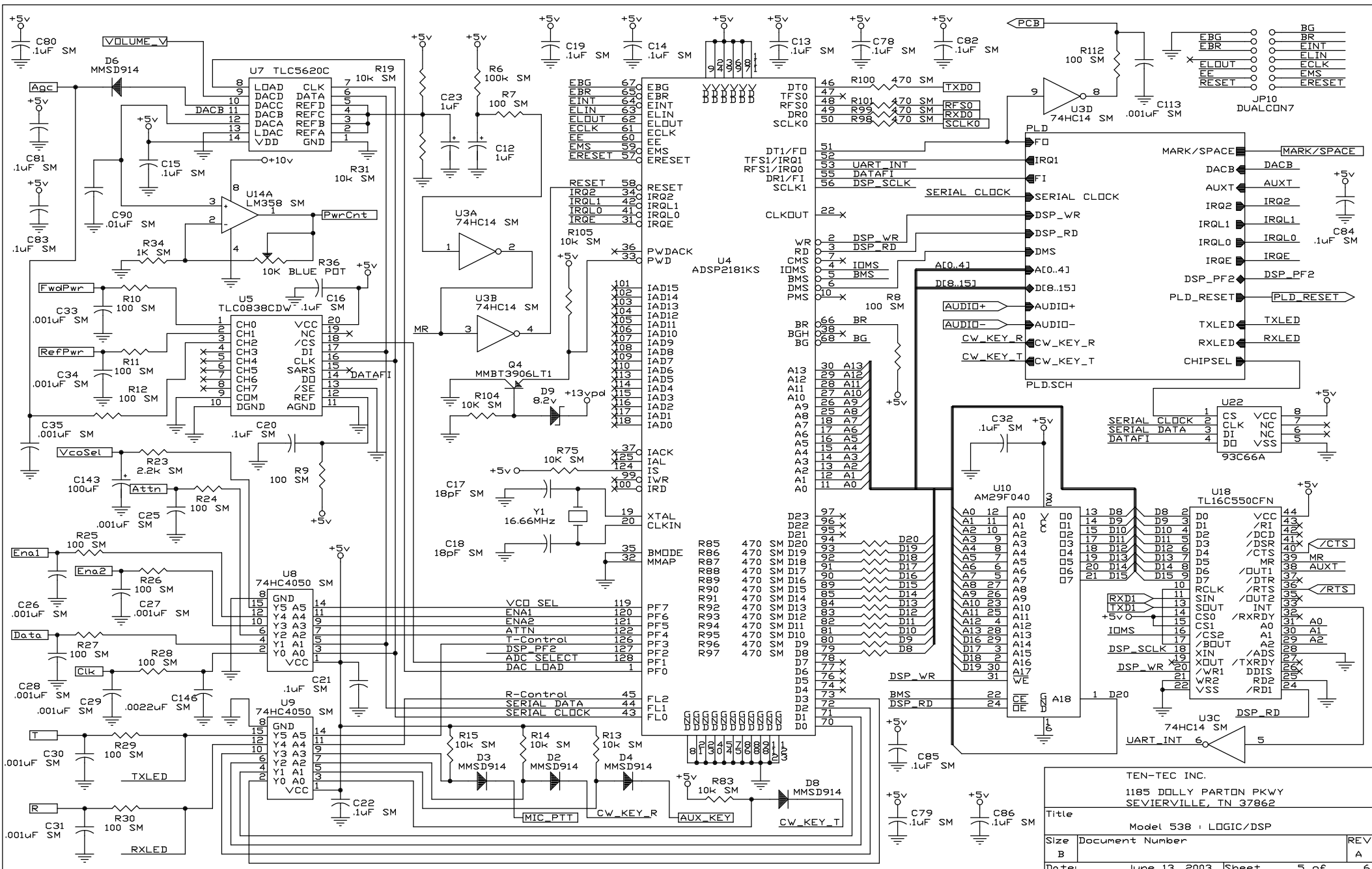
TEN-TEC INC. 1185 DOLLY PARTON PKWY SEVIERVILLE, TN 37862		
Title MODEL 538 : AUDIO I/O		
Size B	Document Number	REV A
Date: November 9, 2005	Sheet 3 of 6	



30mVpp IN (@-90dBm @ ant)  
 12KHz IN  
 Receive IF IN

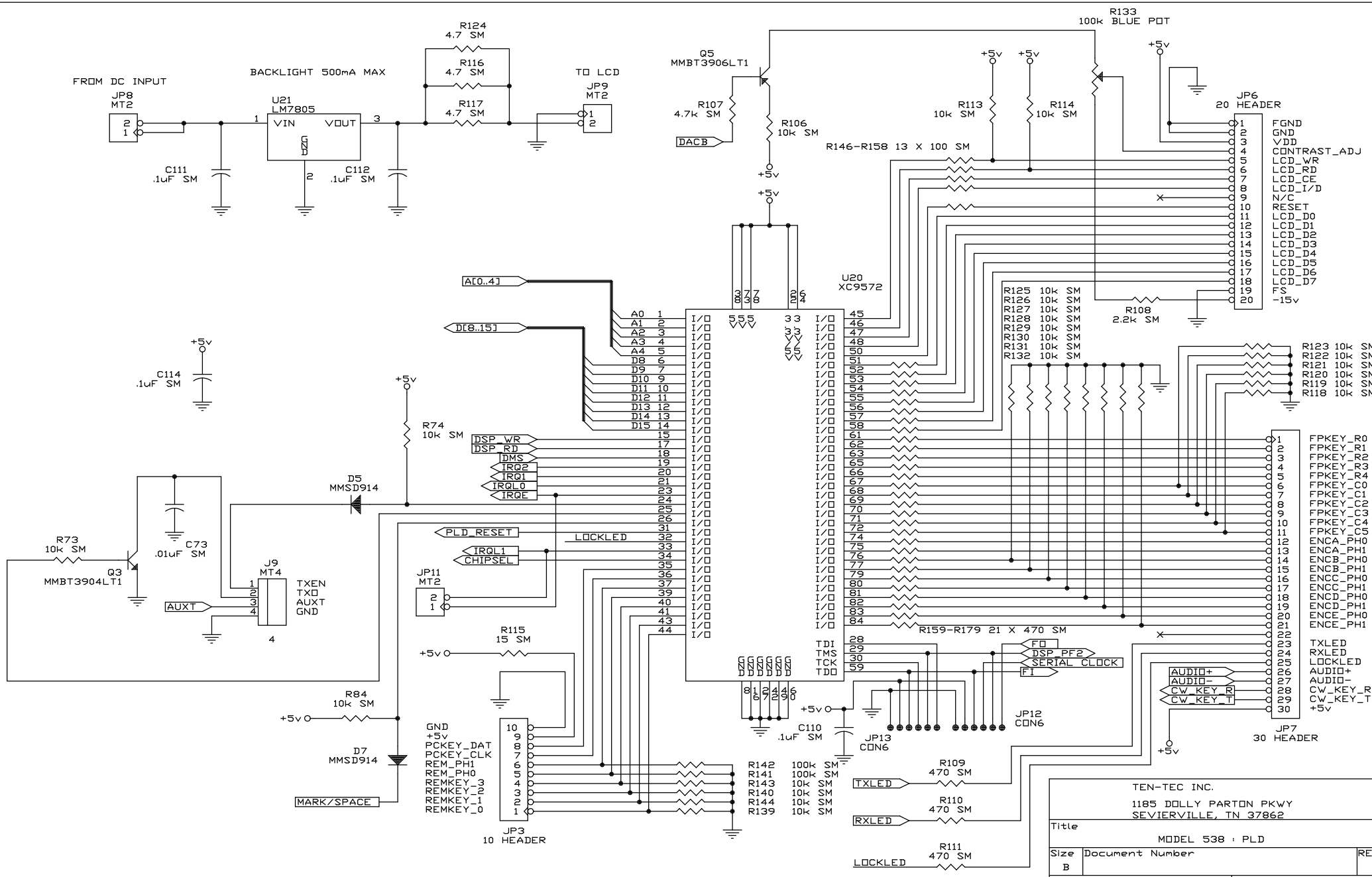
Transmit IF OUT

TEN-TEC INC. 1185 DOLLY PARTON PKWY SEVIERVILLE, TN 37862		
Title Model 538 : DSP SIGNAL I/O		
Size B	Document Number	REV A
Date: March 14, 2003	Sheet 4 of	6



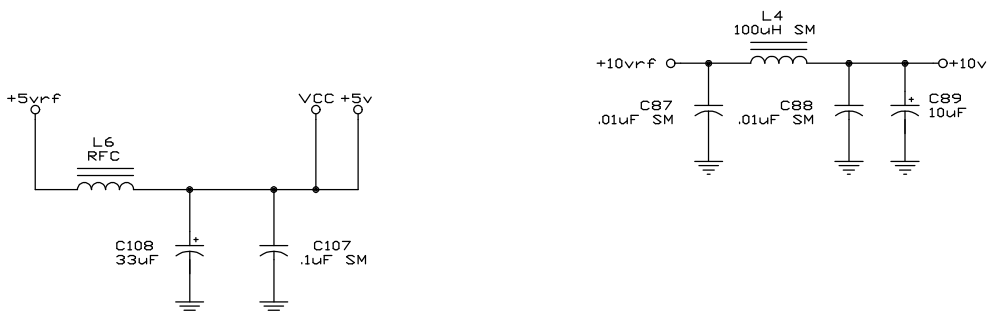
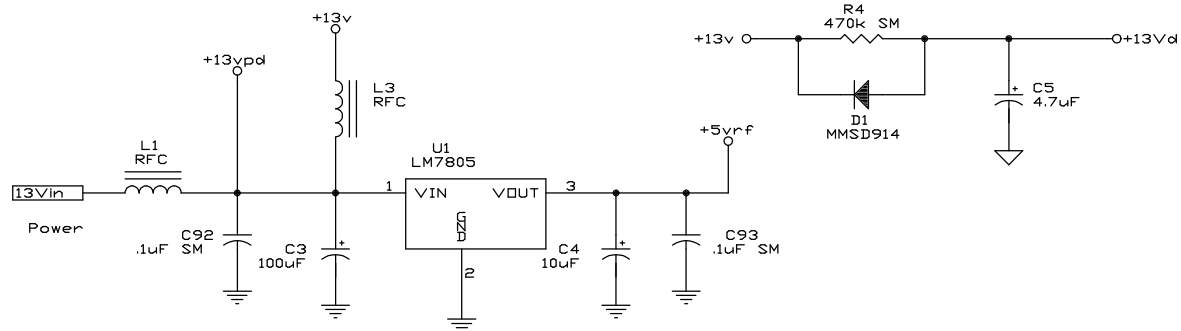
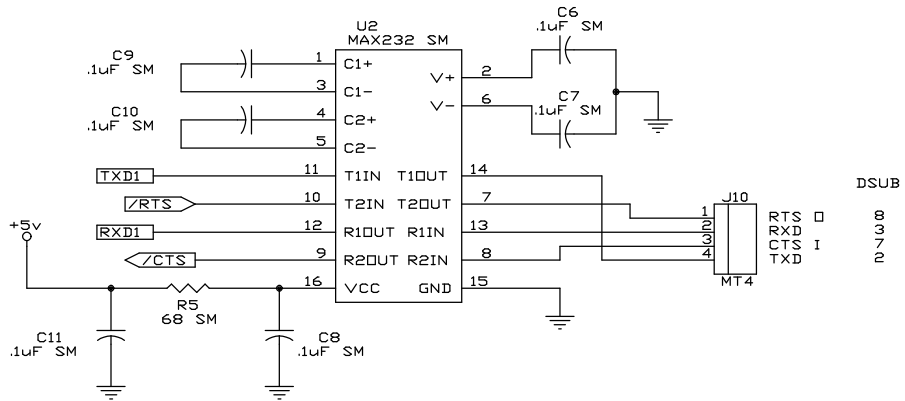
TEN-TEC INC.  
 1185 DOLLY PARTON PKWY  
 SEVIERVILLE, TN 37862

Title: Model 538 - LOGIC/DSP  
 Size: B Document Number: REV A  
 Date: June 13, 2003 Sheet 5 of 6



TEN-TEC INC.  
 1185 DOLLY PARTON PKWY  
 SEVIERVILLE, TN 37862

Title: MODEL 538 : PLD  
 Size: B Document Number: REV:   
 Date: September 8, 2003 Sheet: 6 of 6



TEN-TEC INC. 1185 DOLLY PARTON PKWY SEVIERVILLE, TN 37862		
Title MODEL 538 : POWER/CONTROL		
Size B	Document Number	REV A
Date: September 29, 2004	Sheet	2 of 6